

**BEEZER**<sup>®</sup>  
a product by ritter

**Cold drinks at the  
touch of a button.**



COLD DRINKS AT THE TOUCH OF A BUTTON

# The revolution among bottle coolers.

BEEZER® – probably the fastest, air-based beverage cooler in the world! Cold drinks in just a few minutes, without any annoying additional aids, for different bottle sizes. Designed in Germany.

Save space and energy in the fridge, enjoy cold drinks at the touch of a button and benefit from user-friendly handling. The BEEZER® is the innovative alternative to conventional bottle coolers and guarantees fast and precise cooling without the need for extra aids such as water or ice. With its special technology and unique cooling performance, it exceeds every expectation.

## Overview

---

**04-05** ADVANTAGES

---

**06-07** DETAILED COOLING TIMES

---

**08-09** ADVANTAGES & USP

---

**10-11** THE SOLUTION FOR WINE LOVERS

---

**12-13** DESIGN & OPERATION

---

**14-15** APP / SMART CONTROLS

---

**16-17** THE TECHNOLOGY

---

**18-19** PRODUCT DETAILS & CONTACT



BEEZER

No more wait times



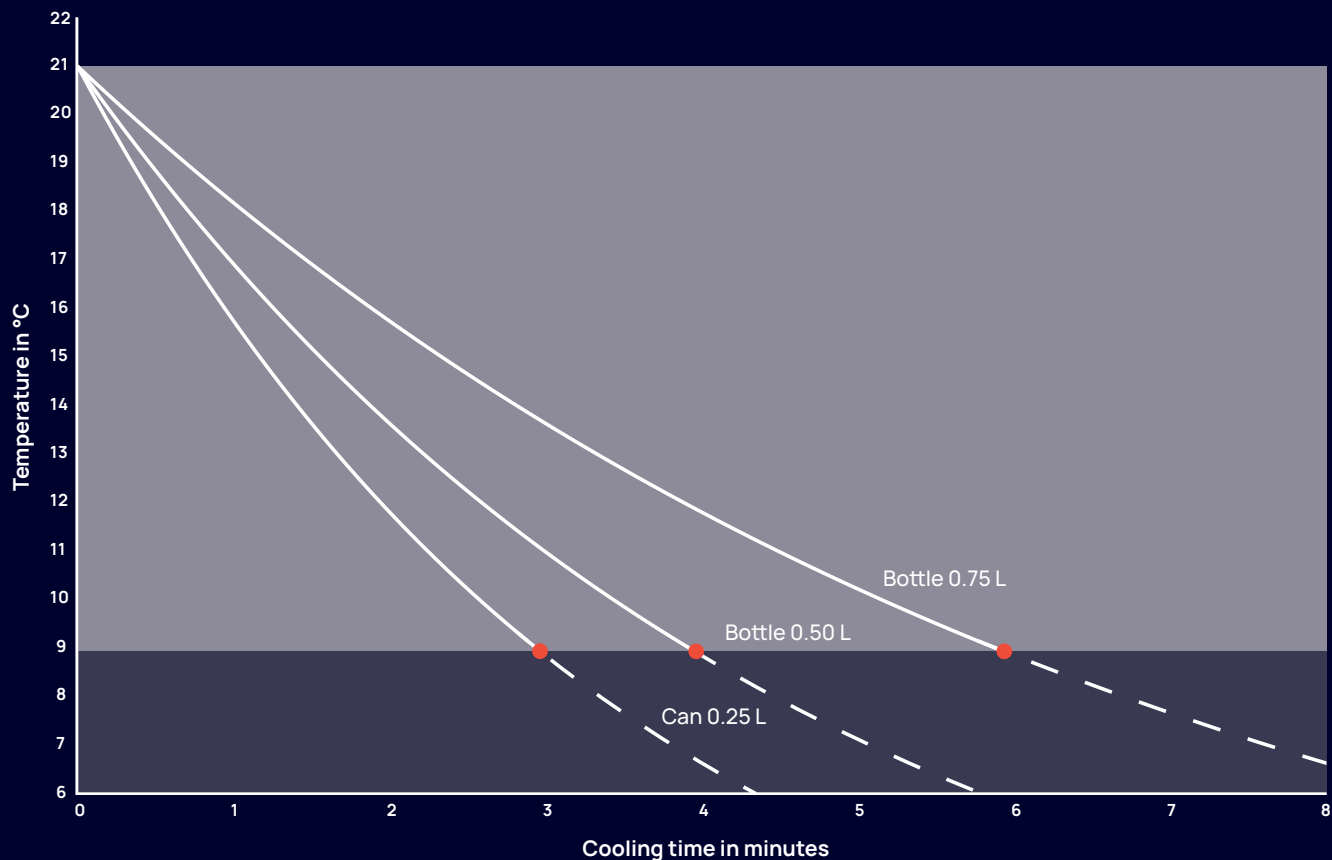
Perfectly cooled beverages for spontaneous occasions

# Unlimited spontaneity: The BEEZER® cools beverages whenever the need arises!

**10x faster than a freezer: long waits are over! With the BEEZER® you are able to enjoy perfectly chilled beverages within minutes.**

Unlimited spontaneity and no more worrying about unexpected guests! The BEEZER® cools beverages whenever the need arises. No matter whether it's by unexpected company, a spontaneous party, or simply because you feel like enjoying a cold drink.

The BEEZER® brings beverages to the perfect drinking temperature in no time at all, without tedious preparation, terribly long waiting times, or the risk of having the bottles burst in the freezer. It allows you to enjoy the moment to the fullest without compromising. The particularly fast cooling performance is fascinating and always ready to make spontaneous, joyful moments even better.



### INCOMPARABLY FAST BEVERAGE COOLING

Long wait times are a thing of the past! The BEEZER® cools drinks from room temperature to an optimal drinking temperature of approx. 9°C within 3-6 minutes – a temperature difference of 12°C. The cooling time can be easily extended in order to obtain ice-cold drinks.

Neither a freezer nor a refrigerator is this fast, as they need 10x and 20x as long respectively for cooling. You not only save a lot of space, but also energy. „On-demand“ cooling only consumes electricity when cooling is actually being done. How energy-efficient the BEEZER® is compared to a wine refrigerator and how much energy is really saved can be easily determined with the consumption calculator on our homepage.

# 3

minutes for 0.25 L

Revolutionary cooling performance

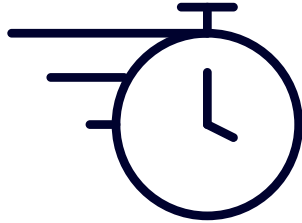
6

minutes for **0.75 L**

10 times faster than a freezer

07

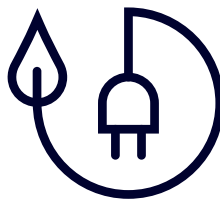
Worldwide patented technology



Fast and efficient



Dry cooling



Energy saving



DISTINCTION FROM OTHER COOLING METHODS

## The BEEZER® in comparison. **Clean, fast, and efficient.**

The BEEZER® is many times faster than cooling devices that use Peltier or thermoelectric systems. These devices are only suitable for maintaining the temperature of an already-cooled bottle, not for rapid cooling.

In contrast to methods and devices using ice water, salt, or other cooling agents, the BEEZER® cools with cold circulating air. The cooling process can therefore be repeated as often as desired. The technology ensures dry and clean cooling of beverages, which also prevents detached labels.



The spontaneous solution for enjoying wine



For passionate connoisseurs

# The ideal solution for wine lovers, pristine wine savouring guaranteed.

An exquisite wine unfolds its full character only at the right drinking temperature. The art of serving wine is a journey that begins with the perfect temperature. Here, the BEEZER® a product by ritterwerk, plays an outstanding role by bringing this decisive component of wine savouring in the foreground.

**The BEEZER® not only provides the ideal drinking temperature, but also ensures an even cooling that gently envelops the wine without affecting its structure.**

This gentle but efficient cooling process preserves the wine's fine aromas and balance, which is particularly important for more delicate varieties such as a gentle Riesling or an elegant Chardonnay.

For the passionate wine connoisseur, the BEEZER® is more than just a high-tech device – it is access to the world of wine in its most beautiful form. Whether you are serving a light summer wine or a more complex one, the BEEZER® ensures that every sip is an unforgettable experience. It offers the freedom to create spontaneous moments of pure delectation without having to compromise on quality.

This is what characterises the BEEZER®, cooling beverages to the perfect drinking temperature in record time. Compared to conventional methods, the BEEZER® can cool a beverage to less than 9°C in just 3 to 6 minutes. That is 10 times faster than a freezer compartment, for example. This is made possible by its unique compressor technology and the air circulation system. Cooling is therefore achieved exclusively by means of cold air.

For sommeliers and lovers of high-quality beverages, the BEEZER® is an indispensable innovation. Its ability to cool drinks quickly and energy-efficiently make it ideal for spontaneous occasions. Whether for a wine tasting, where precise temperatures are crucial, or for a dinner party where different drinks are to be served – the BEEZER® offers the flexibility and reliability needed in such situations.

Tested and recommended by sommeliers to get the best out of every drink and make every moment a special and enjoyable experience. The ideal problem solver for all wine lovers.

# Simple function and operation.

The settings on the BEEZER® are particularly user-friendly thanks to the intuitive user interface with its LED ring, display and just four buttons. This is how the BEEZER® works:

- 1. Rotation:** The rotation function can be switched off by pressing the button, e.g. for square bottles or containers with sensitive labels or embossing.
- 2. Container size:** Select the appropriate size – S 0.25 L / M 0.5 L / L 0.75 L
- 3. Cooling level:** The three cooling levels are indicated on the display by one, two or three lines.
- 4. WiFi symbol:** By simultaneously pressing the two lower buttons, the BEEZER® is paired with the app.

- 1. Pre-cooling:** Just like an oven, the BEEZER® requires a one-time pre-cooling period of approx. 10 minutes after switching on.
- 2. Insert beverage:** The beverage is inserted into the BEEZER®'s cooling chamber by opening the door.
- 3. Configuration:** Select rotation, desired container size and cooling level.
- 4. Start:** The BEEZER® starts cooling at the push of this button. After 3 – 6 minutes, the beverage reaches the optimum drinking temperature.

---

ROTATION

---

CONTAINER SIZE

---

COOLING LEVEL

---

WiFi SYMBOL

---

---

START BUTTON

---

ROTATION ON/OFF

---

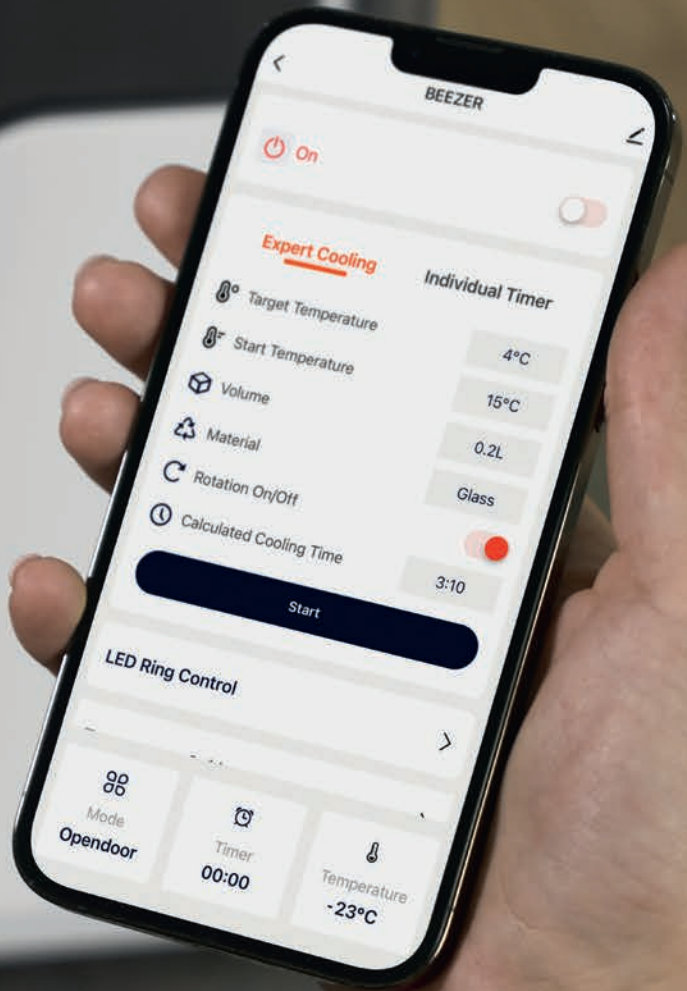
CONTAINER SIZE

---

COOLING LEVEL

---





BEEZER

On

**Expert Cooling**

Individual Timer

Target Temperature

4°C

Start Temperature

15°C

Volume

0.2L

Material

Glass

Rotation On/Off

Calculated Cooling Time

3:10

Start

LED Ring Control



Mode  
Opendoor



Timer  
00:00



Temperature  
-23°C

## Precise control settings thanks to BEEZER® Connect.

The BEEZER® offers numerous functions that can be controlled via the app. One of its practical functions is being able to switch on the appliance from anywhere on the go. This allows you to power up the BEEZER® and avoid waiting during the pre-cooling period. BEEZER® Connect also provides an overview of the most important parameters by displaying live information about the current mode, remaining cooling time and temperature in the cooling chamber.

The **expert mode** helps to determine the ideal cooling time for the desired temperature. Parameters such as initial temperature, volume, material and rotation can be entered and cooling can be started directly via the app. You can select your preferred cooling times and rotations with the **individual timer** and also start the cooling process directly via the app.

The **LED ring can be used as ambient lighting** in a variety of colours when the unit is switched off. The **temperature guide** ensures that you can always keep an eye on the ideal drinking temperature of your favourite drinks. Additionally, the BEEZER® **presets** can be easily changed via the app and the device saves the preferences.

**Further settings**, such as switching the beep on and off, make the BEEZER® even more user-friendly. This wide range of functions make the BEEZER® an indispensable device for anyone who wants to cool their beverages quickly and efficiently.

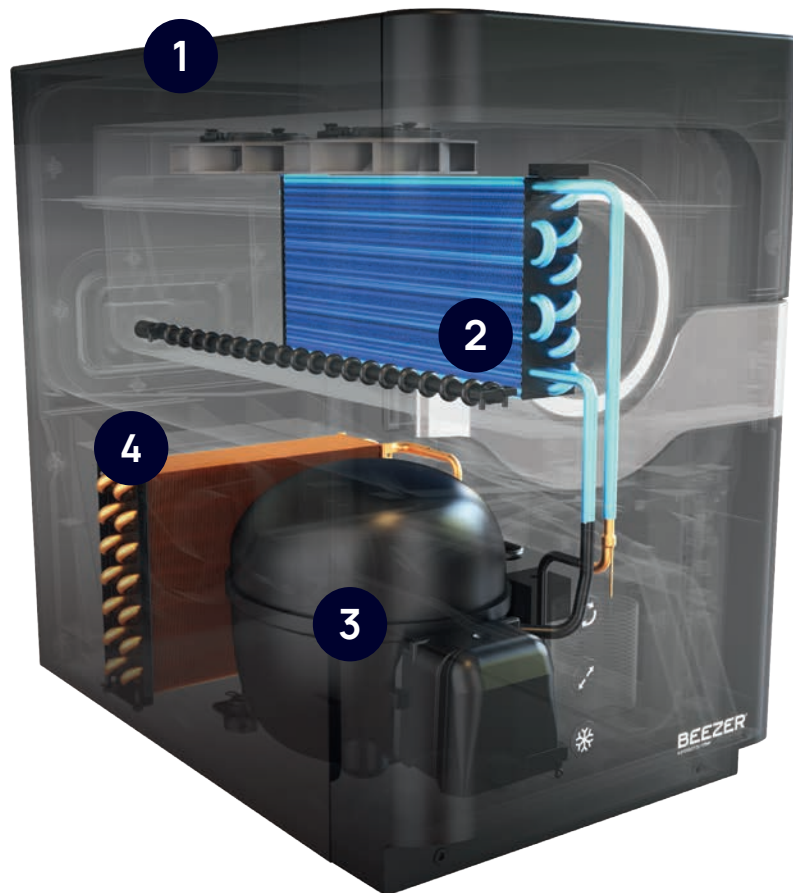


### 01 AIR CIRCULATION SYSTEM

The air circulating system with two radial fans ensures a constant flow to the bottle.

### 02 BOTTLE ROTATION

The shaft inside the cooling chamber rotates the bottles during the cooling process.



### 03 COOLING CIRCUIT

The key component is the compressor, which is also used in refrigerators.

### 04 INSULATION

The insulation of the cooling chamber ensures energy-efficient operation even in standby mode.



## The technology – here's how it works.

The technology is based on a specially developed process. For which a patent has been registered worldwide. It is based on a circulating air system in which air temperatures of below  $-30^{\circ}\text{C}$  are achieved in combination with the compressor circuit used.

After the pre-cooling phase of approx. 10 minutes, the unit is ready for use and the first bottle can be cooled. Once the bottle has been placed in the cooling chamber and the door has been closed, the cooling process begins.

Extremely cold air flows around the bottle at high speed, removing the heat energy contained in the bottle and the liquid. The bottle is rotated around its longitudinal axis during the cooling process in order to cool the liquid inside the bottle evenly and to increase the cooling speed.

### **Dry cooling without the use of additional aids**

In contrast to other devices that are also used to cool individual bottles, the BEEZER® does not require any additional aids such as water or ice cubes, which makes for a clean, dry and, above all, repeatable cooling process. Overall, the BEEZER® is also characterised by the fact that the cooling process can be carried out repeatedly. Several bottles can be cooled consecutively.

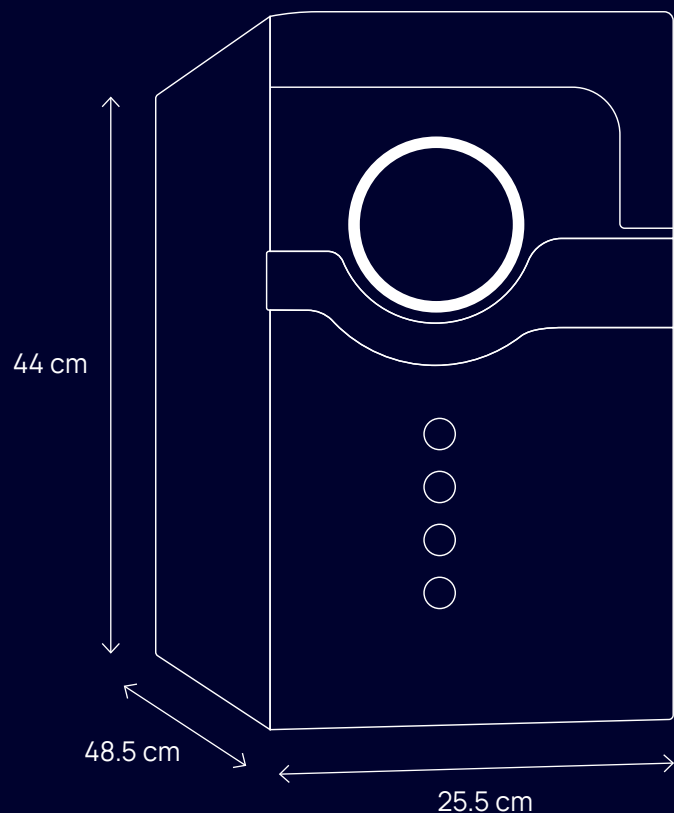
THE BEEZER® AT A GLANCE

# The revolution among bottle coolers.

- Revolution among bottle coolers with patented technology
- Cold drinks at the touch of a button at least 10x faster than a freezer
- Tabletop appliance with a cooling chamber for cans and bottles
- Efficient „on-demand“ cooling with compressor cooling
- Dry and clean cooling without water, ice or other aids
- The rated power is at a room temperature between 16 and 32 °C
- Intuitive user interface
- High-quality finish
- Simple operation via BEEZER® Connect
- Warranty: 2 years

## TECHNICAL DATA

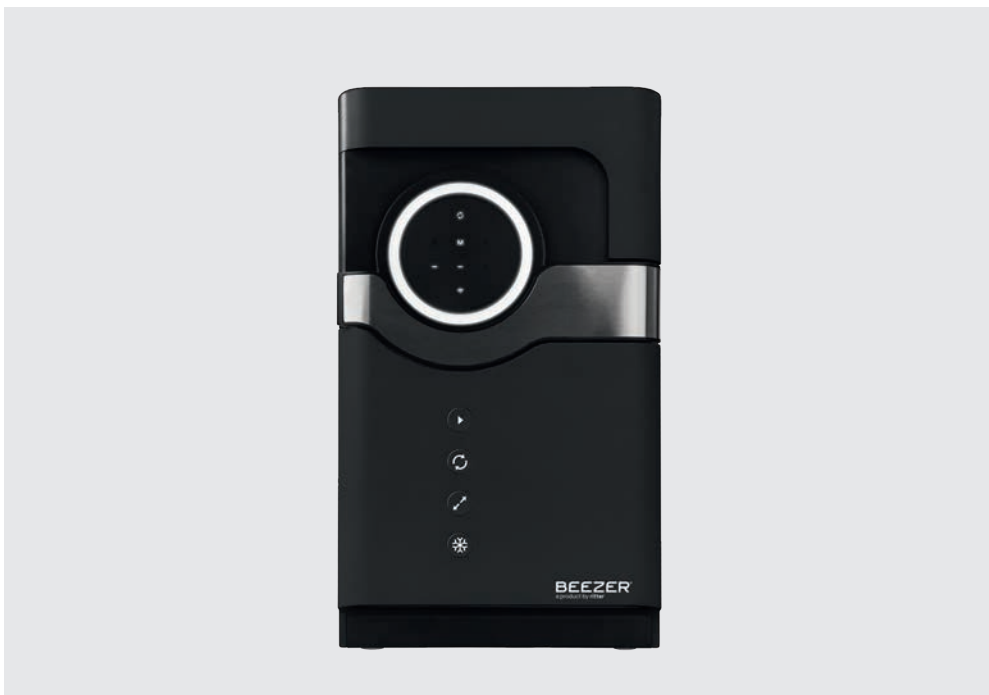
- Efficient compressor cooling with recirculating air circuit
- Refrigerant R290
- Climate class SN, N, ST, T
- 220-240 Volt, 276 Watt
- 50 Hz, 1.3 A
- Maximum bottle size:  
Length 360 mm, ø 95 mm
- SGS/GS seal, protection class 1, CE
- Dimensions: Width 25.5 cm  
Height 44.0 cm Depth 48.5 cm
- Weight: 23.0 kg



\*Technical data subject to change without notice.



ITEM-NO. 950.001 / 40 04822 95001 3



ITEM-NO. 950.000 / 40 04822 95000 6

YOUR CONTACT PARTNERS

**Lorin Schüller**  
Sales Manager

lorin.schueller@ritterwerk.de  
Phone: +49 (8142) 440 16-58  
Mobile: +49 (176) 626 143 60

**Klaus Rehm**  
Export Sales Manager

klaus.rehm@ritterwerk.de  
Phone: +49 (8142) 440 16-28  
Mobile: +49 (172) 823 91 52



# BEEZER®

## A product by ritter

As a traditional Bavarian company, ritterwerk develops and manufactures table-top and built-in household appliances that make everyday kitchen life easier. These primarily include food slicers, but also toasters, kettles, hand blenders, coffee machines and many built-in appliances. Since 2023, ritterwerk presents the world innovation BEEZER®, which is probably the fastest bottle cooler in the world.

ritterwerk GmbH  
Industriestraße 13  
82194 Gröbenzell

info@ritterwerk.com  
www.ritterwerk.com/BEEZER  
Socials @myBEEZER

Phone: +49 (8142) 440 16-0  
Fax: +49 (8142) 440 16-70



Dated 01/2025